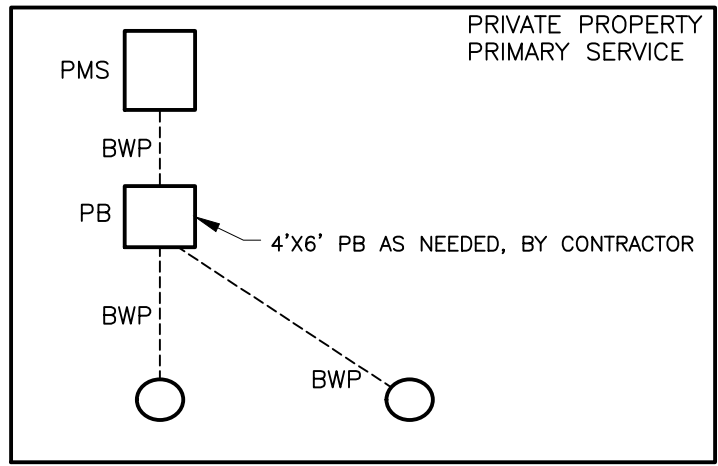


BWP TO INSTALL SECONDARY CONDUCTOR CROSSING PUBLIC RIGHT-OF-WAY (PRW) TO FEED NEIGHBORING PRIVATE PROPERTY LOCATED ON A SEPARATE PARCEL. PULLBOX TERMINATIONS INSTALLED BY BWP.

SECONDARY CONDUCTOR INSTALLED BY CONTRACTOR. PULLBOX TERMINATIONS INSTALLED BY BWP.



ALL 1000MCM CU UG CABLE INSTALLED BY BWP. SWITCHGEAR TERMINATIONS BY CONTRACTOR.

LEGEND:

- C=WORK BY CONTRACTOR
- BWP=WORK BY (BURBANK WATER AND POWER)
- SEC=SECONDARY
- PRI=PRIMARY
- PMS=PADMOUNT SWITCH
- TFMR=PADMOUNT TRANSFORMER
- PB=PULLBOX
- =SERVICE

NOTES:

1. 3'X5' OR 4'X6' SECONDARY PULLBOX AS NEEDED.
2. 4 #600MCM CU SECONDARY CABLE PER 400A PER 4" CONDUIT.
3. (1) 4" CONDUIT FOR EVERY 400A SECONDARY.
4. PRIMARY CABLE INSTALLED BY BWP.
5. SECONDARY CABLE INSTALLED BY CONTRACTOR PER NOTE #2, SECONDARY CABLE TERMINATED BY CONTRACTOR AT SWITCHGEAR. SECONDARY CABLE TERMINATED BY BWP AT TFMR. CONTRACTOR MUST LEAVE MINIMUM 4 FEET CONDUCTOR IN PULLBOX FOR BWP TO CONNECT TO. BWP MAKES/INSTALLS ALL UNDERGROUND TERMINATIONS IN PULLBOXES.
6. SECONDARY CABLE AND PULLBOX TERMINATIONS INSTALLED BY BWP PER NOTE #2. SECONDARY CABLE TERMINATED BY THE CONTRACTOR AT THE SWITCHGEAR.
7. ALL PRIMARY AND SECONDARY SUBSTRUCTURES TO BE INSTALLED BY THE CONTRACTOR AND INSPECTED BY BWP.
8. TFMR AND PMS TO BE INSTALLED BY BWP.
9. ANY CONDUIT WITHIN THE BUILDING ENVELOPE SHALL BE INSPECTED BY BUILDING AND SAFETY.

A	NEW DRAWING	MEP	VOA	5/14/26
No.	REVISIONS	BY	APPR'V'D	DATE



BURBANK WATER AND POWER - ELECTRIC SERVICES

ONSITE TRANSFORMATION
DELINEATION OF
RESPONSIBILITIES

DRAWING No.
S-833A

Sheet 1 of 1