

FIGURE 1
SEMI-FLUSH INSTALLATION

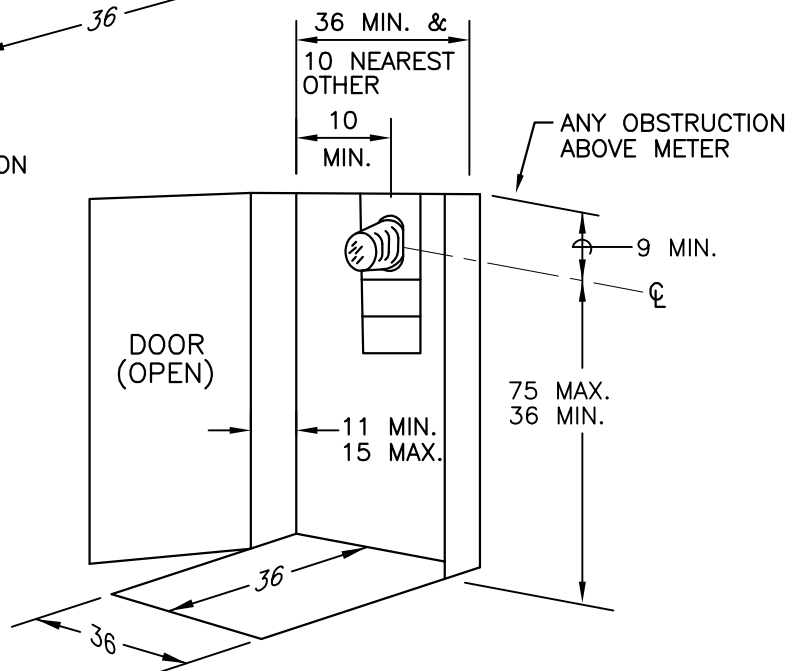


FIGURE 2
ENCLOSED INSTALLATION

NOTES:

1. Sockets with approved sealing rings shall be furnished, installed, and wired by the electrical contractor.
2. Care should be exercised to design cabinet such that neither the roof nor the door frame will interfere with the clearances or the installation of the meter.
3. Meter to be installed with 10-inch minimum clearance to the nearest side wall or other obstruction.

ALL DIMENSIONS SHOWN ARE IN INCHES

REV.	DATE	DESCRIPTION	
2	05/97	REVISED DRAWING TO MEET NEC GUIDELINES - PROJECT #960205	
SCALE N.T.S.		INSTALLATION GUIDE DRAWING SINGLE PHASE SELF CONTAINED METERS RESIDENTIAL SERVICE, 0-600 VOLTS	SHT 1 OF 1
DATE 05/97			DWG NO. G7
ELECTRIC UTILITY SERVICE EQUIPMENT REQUIREMENTS COMMITTEE			